

SERVICE MANUAL

**DALI EUPHONIA
MS 4**

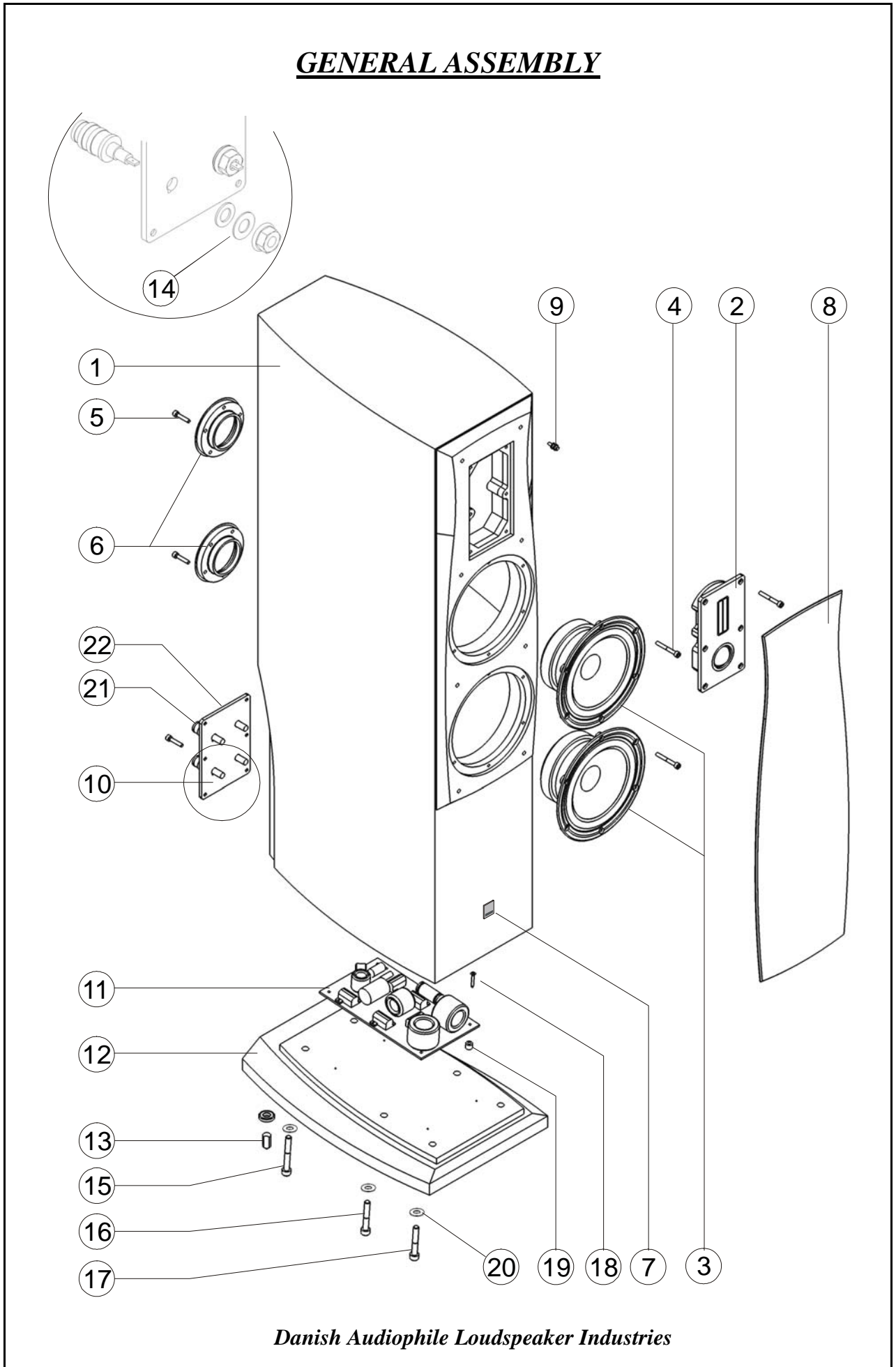


Danish Audiophile Loudspeaker Industries

CONTENTS:

	PAGE:
GENERAL ASSEMBLY	1
GENERAL ASSEMBLY – PARTS LIST	2
TWEETER MODULE – PARTS LIST	3
CROSSOVER SCHEMATIC DIAGRAM	4
CROSSOVER PARTS LIST	5

GENERAL ASSEMBLY



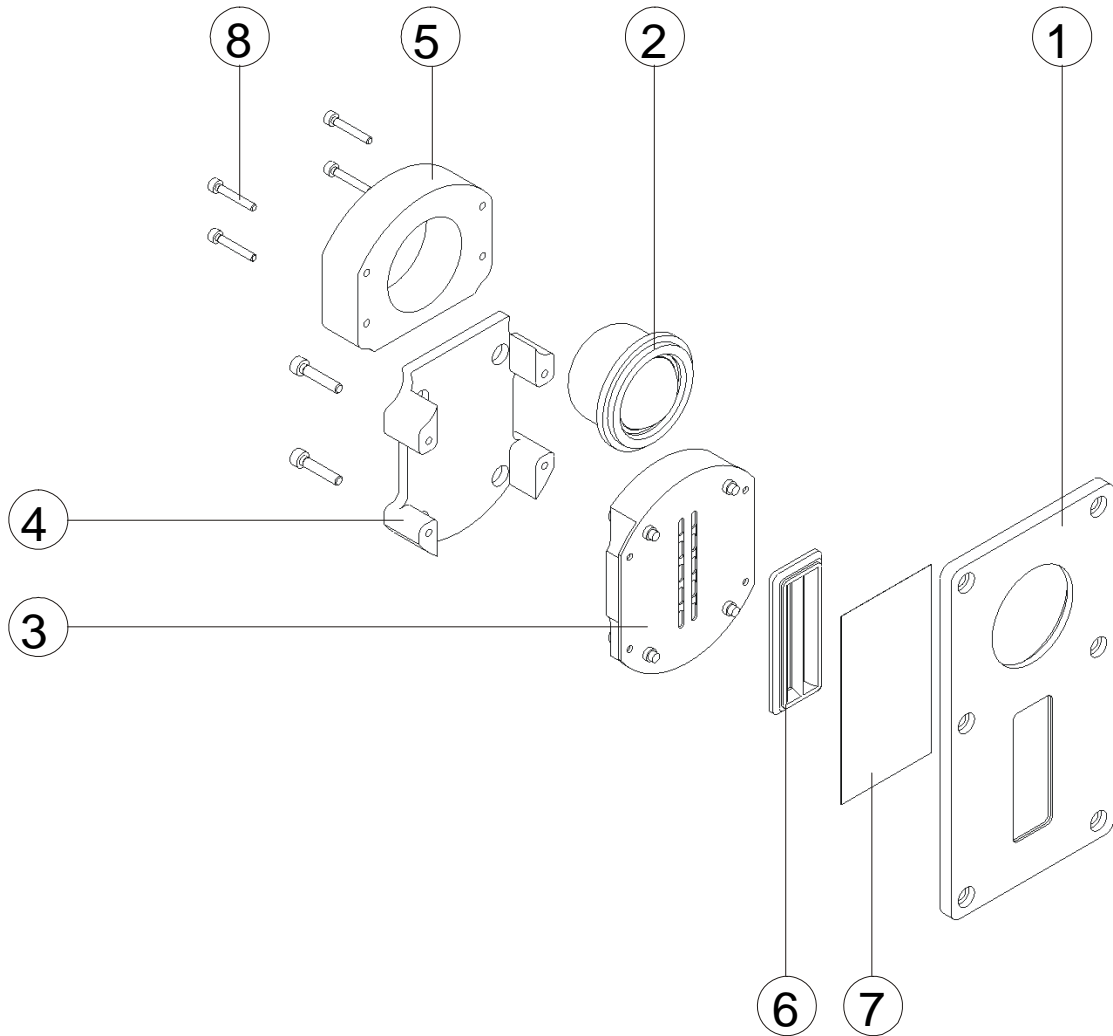
PARTS LIST

ITEM	QTY	DESCRIPTION	CODE NO.:
1	1	Cabinet	Rouge Alpi Maple Cherry
			V250041-10-1 V250041-50-1 V250041-60-1
2	1	Tweeter module compl.	300300-1-0-1
3	2	Woofers	XT18WO-77-08
			350622-0-0-1
4	18	Screw M5x40 Dali	(tweeter + woofer)
			920085-4-0-1
5	16	Screw M5x40 Dali	(terminalplate + port)
			920085-2-5-1
6	2	Port ø52,5	950564-3-0-1
7	1	Logo DALI Euphonia 25 x 25 mm	950218-0-0-1
8	1	Grille assembly	V760040-00-1
9	8	Plungers - male	950106-0-0-1
10	1	Terminalplate	S400040-30-1
11	1	Crossover	V650040-00-1
12	1	Base	250042-0-0-1
13	1	Spikes assembly, Euphonia	S930314-00-1
14	4	Spring washer M10	930094-0-0-1
15	2	Screw M8x80 (Allen screw, black)	930037-0-0-1
16	2	Screw M8x70 (Allen screw, black)	930036-0-0-1
17	2	Screw M8x60 (Allen screw, black)	930035-0-0-1
18	4	Screw 3,5x25 (facet head)	(crossover)
			920114-0-0-1
19	4	Distance bush ø5 ø10x8	(crossover)
			300312-0-0-1
20	6	Washer ø8 ø15 DIN 433	930082-0-0-1
21	2	Terminal, Euphonia, red	950137-0-0-1
22	2	Terminal, Euphonia, black	950136-0-0-1

Owner's Manual

951002-0-0-1

TWEETER MODULE PARTS LIST

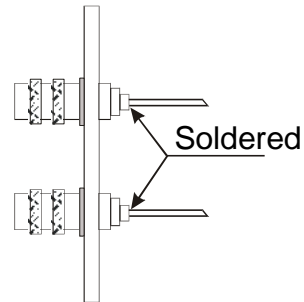
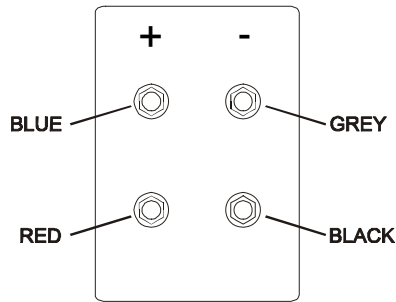


ITEM	QTY	DESCRIPTION	CODE NO:
1	1	Tweeter frontplate	S300303-03-1
2	1	Tweeter, dome Scanspeak D2904/600008	300301-0-0-1
3	1	Tweeter, ribbon Foster 365754	300301-0-2-1
4	1	Bracket for tweeter, ribbon, Foster	S300302-03-1
5	1	Bracket for tweeter, dome, Scanspeak	S300301-03-1
6	1	Ribbon load insert	300301-0-1-1
7	0,01 m	Fabric for tweeter	730200-0-0-1
8	8	Screw M3 x 22 mm	920086-0-0-1

Tweeter module, Euphonia, Compl.	300300-1-0-1
----------------------------------	--------------

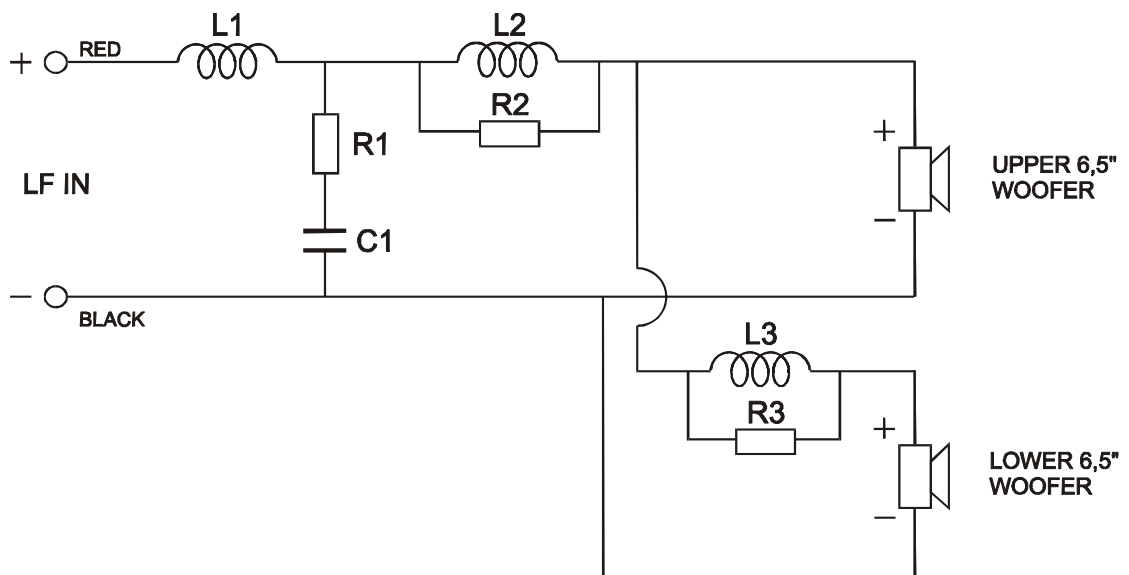
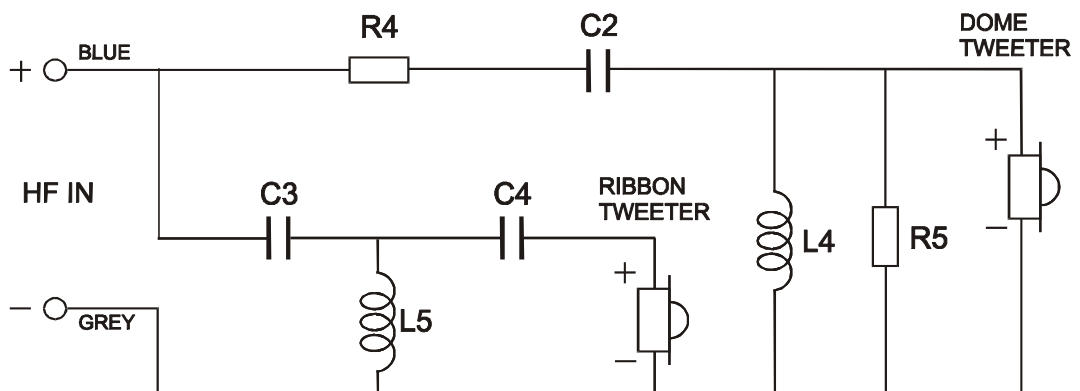
CROSSOVER SCHEMATIC DIAGRAM

TERMINAL



SOLDERED SIDE

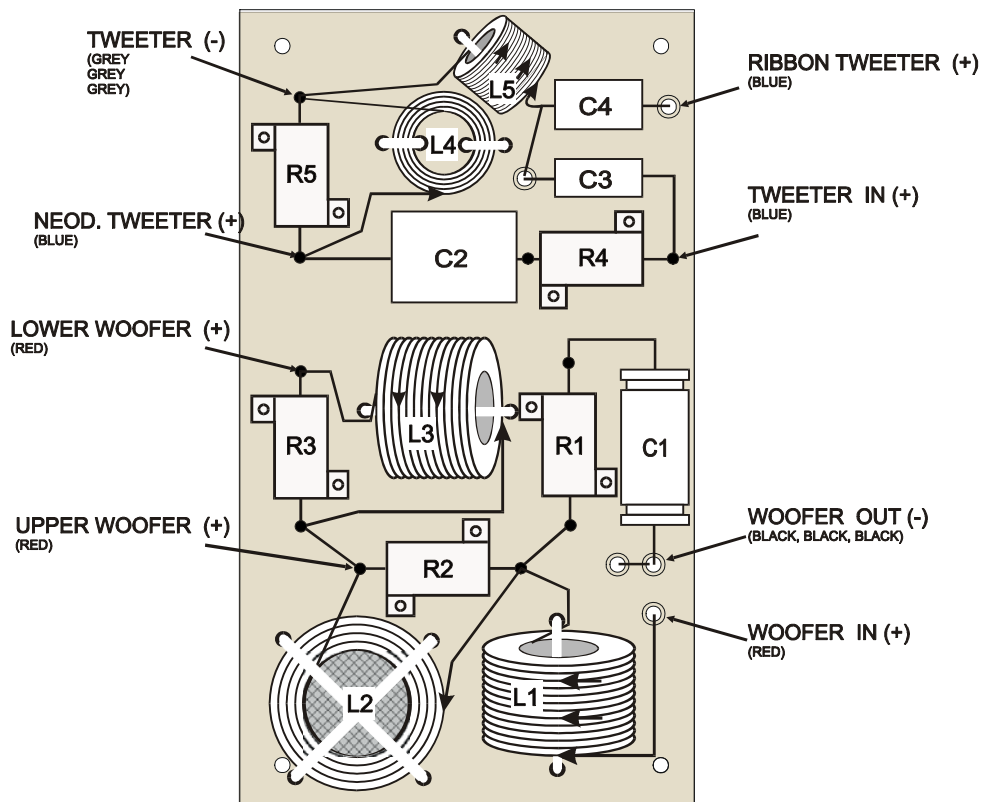
SIDE

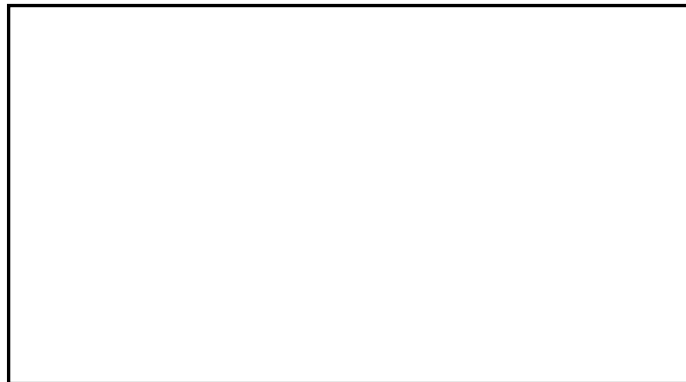


CROSSOVER PARTS LIST

Item	Value / Rating	Code No.:
R1	5,6 Ω / 25 W	602056-0-0-1
R2	5,6 Ω / 25 W	602056-0-0-1
R3	5,6 Ω / 25 W	602056-0-0-1
R4	1,0 Ω / 25 W	602010-0-0-1
R5	39 Ω / 25 W	602390-00-1
L1	0,24 mH / ø = 1,18	S630503-00-1
L2	0,24 mH / ø = 1,18	S630503-00-1
L3	0,78 mH / ø = 1,18	S630516-00-1
L4	0,29 mH / ø = 0,71	S630306-00-1
L5	0,05 mH / ø = 0,71 / ø16mm	S630328-00-1
C1	39 µF / 100 V Bipolar	627039-2-0-1
C2	6,8 µF / 400 V	626068-4-0-1
C3	0,33 µF / 400 V	626003-3-0-1
C4	1,0 µF / 400 V	626010-4-5-1

X-over assembly	V650040-00-1
-----------------	--------------





ALL RIGHTS RESERVED
SUBJECT TO REVISION WITHOUT NOTICE
UNAUTHORIZED COPYING PROHIBITED